

## LSW Series

Maximum Spread Force:  
**16 ton (157kN)**

Min. Clearance / Max. Lift Ht.<sup>1)</sup>:  
**9.9 / 51.3-69.1<sup>1)</sup> mm**

Maximum Operating Pressure:  
**700 bar**

<sup>1)</sup>Using Stepped block SWRFSB to increase wedge lifting height 30mm.

## LSW-16

### 油壓楔型舉升器

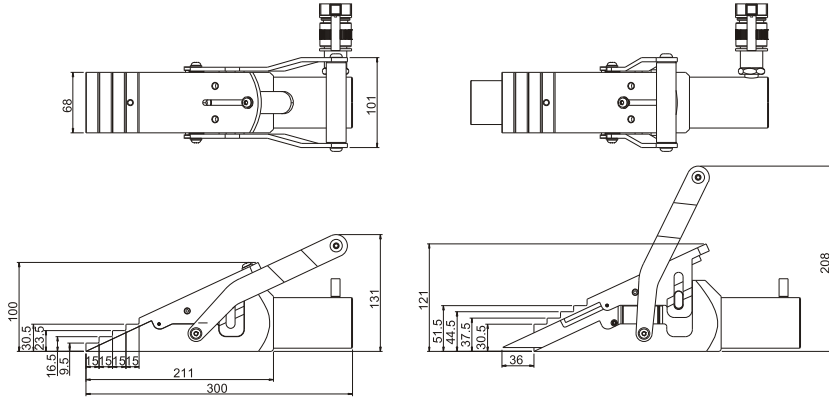
- 僅需0.39(9.9mm)的間隙。
- 在700bar壓力時具16ton舉升力。
- 自動機械回縮(單動彈簧回縮)。
- 安全舉升16ton不滑落。
- 附安全墊塊 SLW-C1-16。
- 串聯使用可提升至32ton或64ton。
- 每階可垂直舉升21.1mm(選配階梯墊塊 SLW16-A07可最大舉升69.1mm)
- 每階均可承載全額定荷重。
- 獨特的連結設計，無首階彎曲及防滑設計。

### Hydraulic Vertical Lifting Wedge

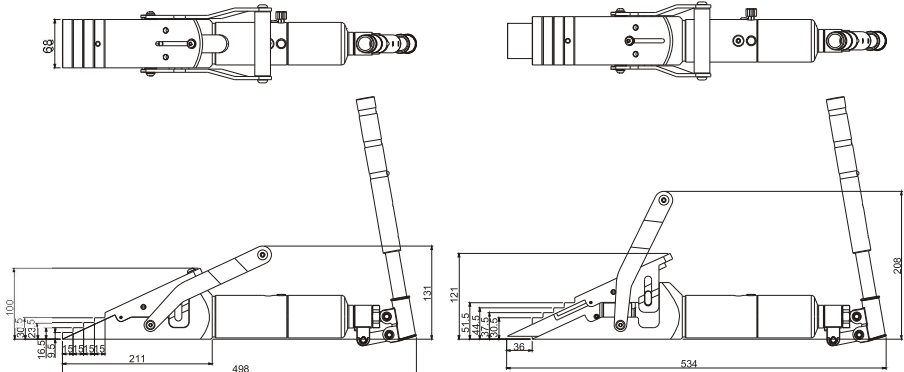
- ※ Require 0.39" (9.9mm) access gap.
- ※ Lifting force 16 ton at 700bar hydraulic pressure.
- ※ Automatic mechanical retraction (single acting spring return).
- ※ Securely raises or lowers 16 tons with no slippage.
- ※ Lifting wedge LSW-16 includes safety block SLW-C1-16.
- ※ Use in tandem to lift 32 tons, or 64 tons.
- ※ 21.1mm of vertical lift from each step (maximum lift to 69.1mm with optional SLW-C2-16 stepped block).
- ※ Each step can spread under full load.
- ※ Unique interlocking wedge design, no first step bending and risk of slipping out.



LSW-16



LSW-161

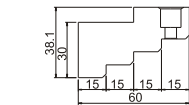


尺寸 Dimension(mm)

#### 選配配件 Optional fitting



SLW16-A07  
階梯墊塊  
Stepped Block



選配SLW-C2-16階梯墊塊  
Optional LSW-C2-16 Stepped Block

#### 標準配件 Equipped fitting



收納箱  
Stock Box



SLW-C1-16  
安全墊塊  
Safety Block



手控分流閥  
建議使用控制分流閥同步控制  
2或4個楔型舉升器

#### Control Manifolds

Control Manifold to control two or four lifting wedges simultaneously.

型號 Model No.	最大撐開力 Max.Lifting Force ton (kN)	最小空隙 Minimum clearance Gap (mm)	每階最大舉升 Max. Lift per Stage (mm)	最大舉升高 Max. Lift Ht. (mm)	使用階梯墊塊 最大舉升高 Max. Lift Ht. Using stepped block (mm)	總油量 Oil Capacity (cc)	重量 Weight (kg)
LSW-16	16ton(157kN)	9.9mm	21.1mm	51.3mm	69.1mm	78	7
LSW-161	16ton(157kN)	9.9mm	21.1mm	51.3mm	69.1mm	152	7